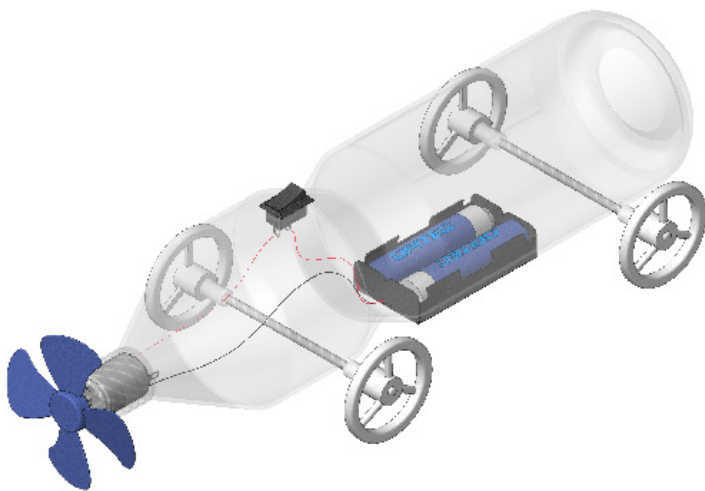
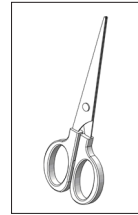


117.570

Recycling Propeller Vehicle



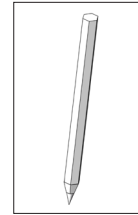
Tools required:



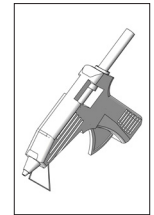
Silhouette Scissors



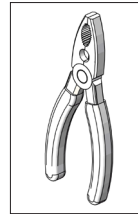
Craft Knife



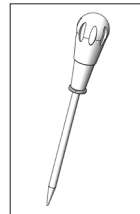
Pencil Edging Marker



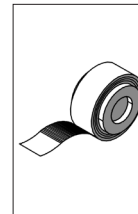
Hot Glue Gun



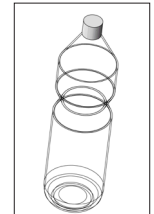
Wire Stripper



Pricking Awl



Adhesive Tape

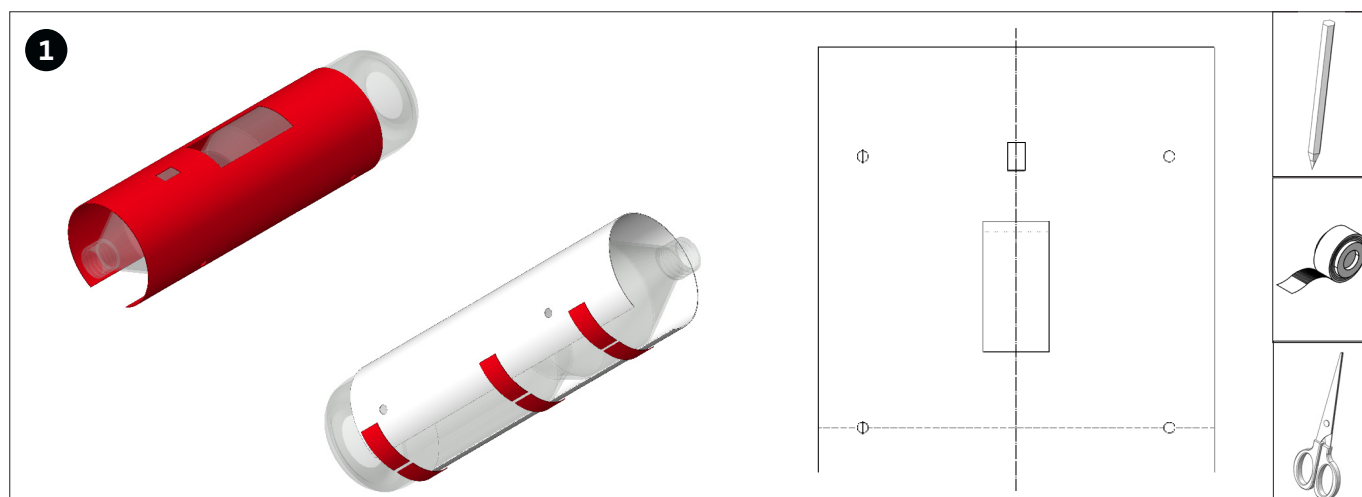


Plastic Bottle 0,5l

Please Note!

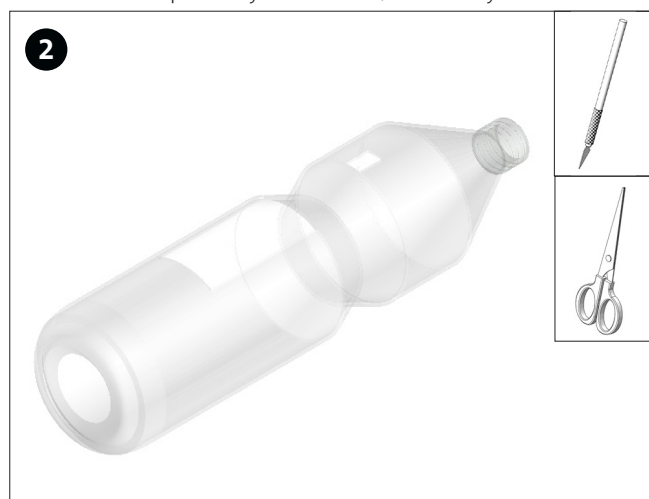
The OPITEC handicraft packs are not toys in a typical off-the-shelf sense, but rather additional teaching and learning material for educational purposes. This craft pack may only be constructed by children and adolescents under the guidance and supervision of experienced adults. Not suitable for children under 36 months. Choking hazard!

Stocklist	Quantity	Size (mm):	Description	Part-No.
Motor	1		Propulsion	1
Jumper Wire, red	1	500	Wiring	2
Metal Axle	2	95x3	Axle	3
Rocker Switch	1	15x10,5	Switch	4
Battery Holder	1		Battery Holder	5
Steering Wheel	4	ø37	Wheels	6
Fan Propeller (4 blades)	1	approx. ø60	Propulsion	7
PVC Tube, transparent	1	4/6	Spacer Pieces for Wheels	8

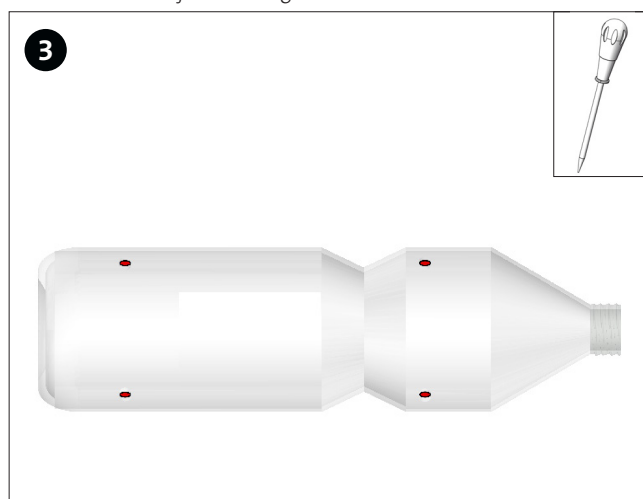


Copy the template (page 5) to a 0,5l plastic bottle. Put the template to the neck of the bootle, right beneath the screw top, and fix it with glue. Mark the recesses and holes for the axles with a pen.

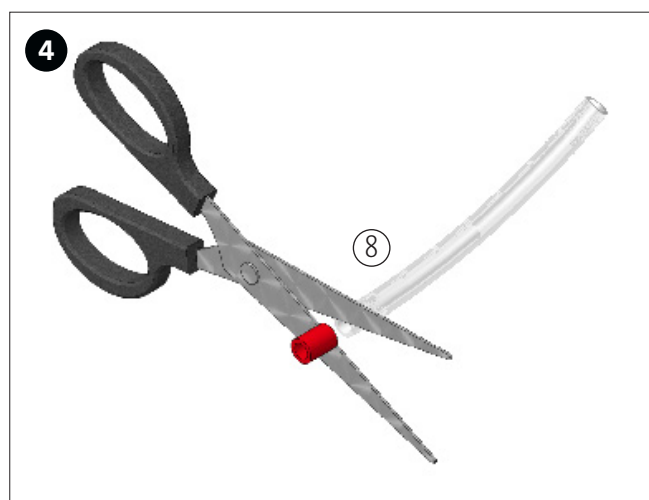
Please note: Template only works for a 0,5l bottle. If you use other bottles, please make sure to adjust the height of the axles.



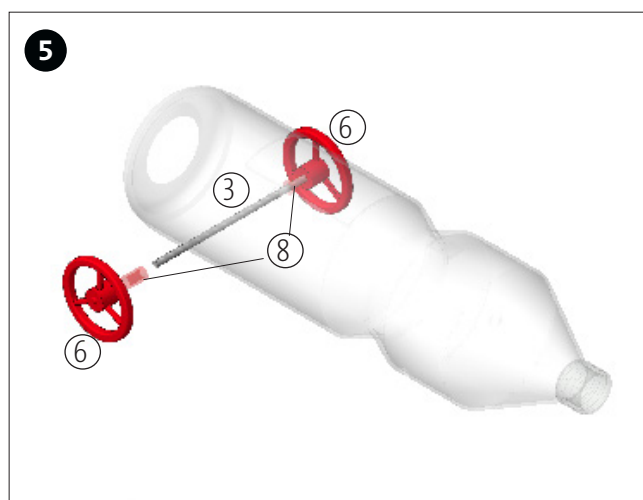
Cut the recesses with silhouette-scissors or craft knife as illustrated.



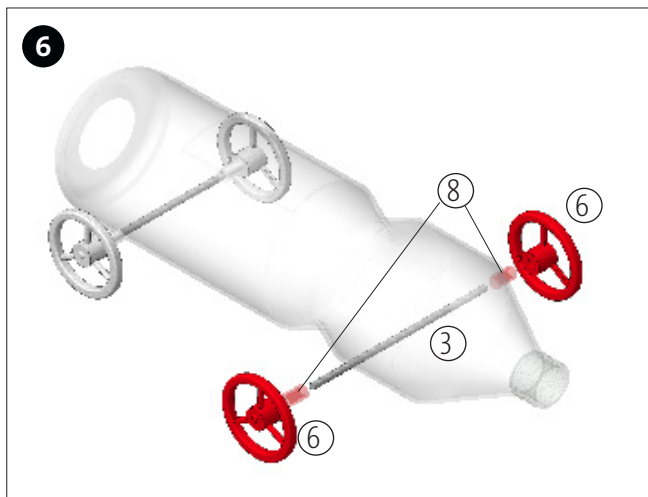
Prick the holes for the axle at the marks with a pricking awl or use punch pliers.



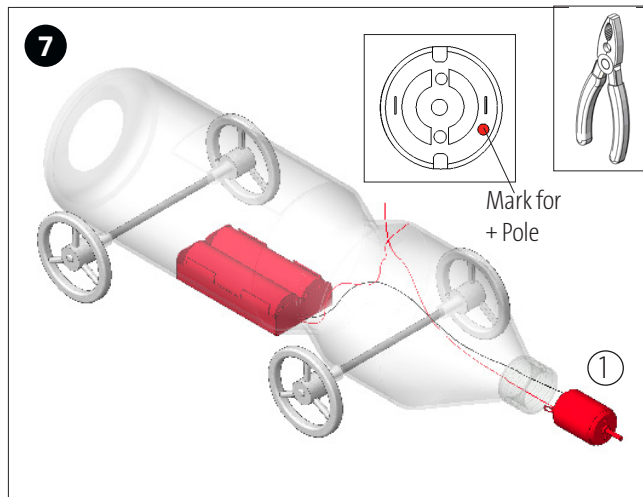
Cut the PVC tube (8) to 4 pieces of approx. 6mm of length. If you use different bottles, adjust the pieces.



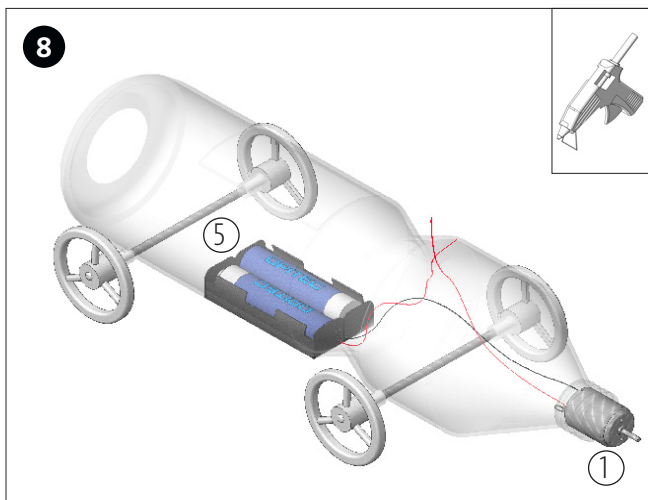
Insert the front axle (3) through the two holes as pictured and put a PVC tube piece (8) and a steering wheel (6) on both ends.



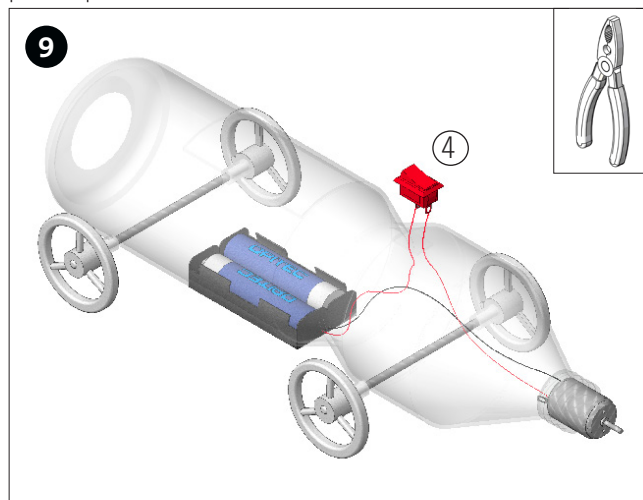
Insert the front axle (3) through the two holes as pictured and put a PVC tube piece (8) and a steering wheel (6) on both ends.



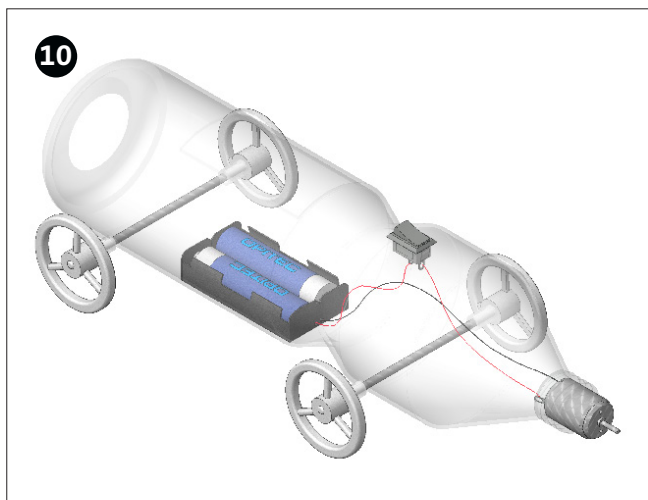
Insert the battery holder (5) and drag the red wire outwards. Connect the black wire to the negative pole of the motor (1) as illustrated. Connect an approx. 100mm long piece of the jumper wire (2) to the positive pole of the motor.



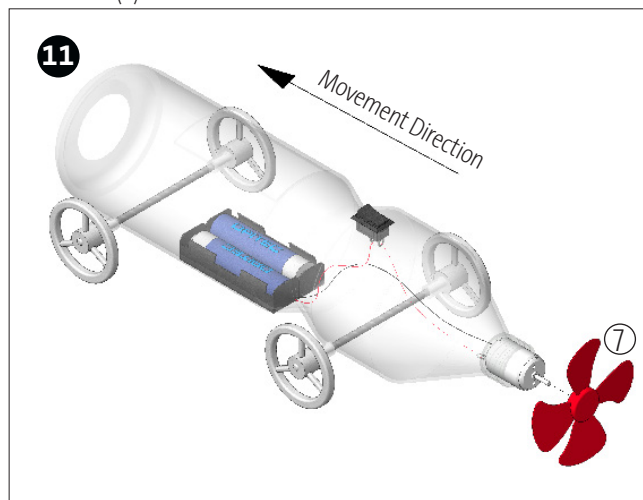
Stick the motor (1) and the battery holder (5) with hot glue into the bottle.



Connect the red wire of the motor (1) to the external switch connection (4). Then connect the red wire of the battery holder to the connection (4) in the middle.



Subsequently, press the switch into the recess as illustrated.
Insert battery and operate switch!



Put the fan propeller (7) to the motor axle as illustrated. If switch is operated, the vehicle is propelled by the flow and moves forwards.

Template S 1:1
(for 0,5 litre plastic bottle)

